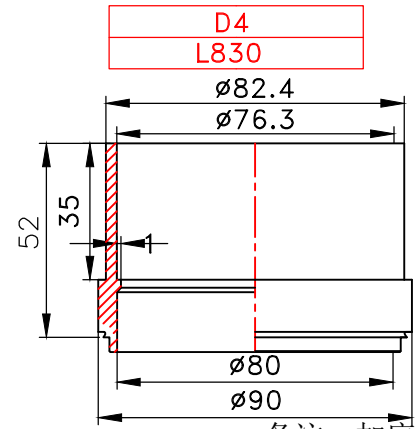
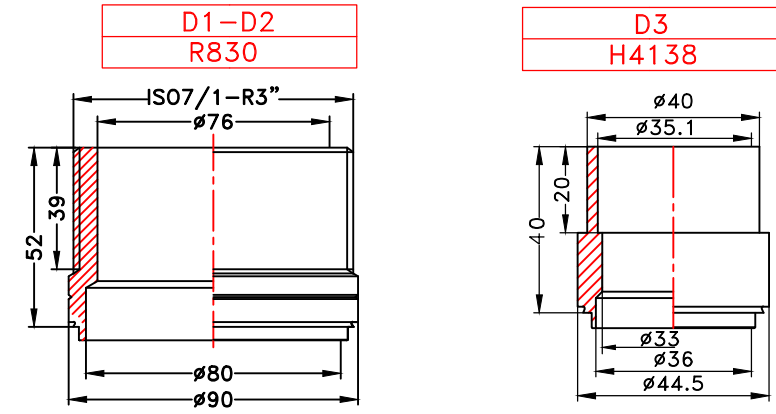
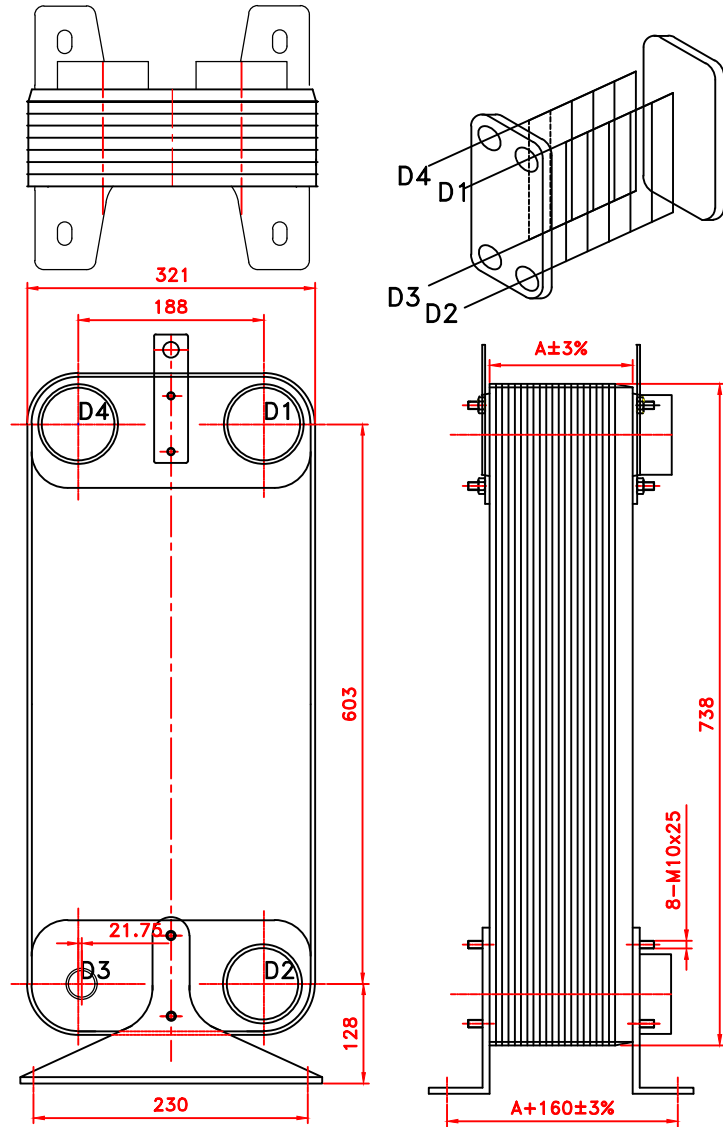


CONTROLLED



备注：加底脚和吊耳

		DESIGN DATA							
DESIGN PRESSURE		3.0MPa							
TEST PRESSURE		4.5MPa							
DESIGN TEMPERATURE		-196/+225							
LEAKAGE TEST		He检							
WEIGHT									
VOLUMN									
PLATE MATERIAL		316L							
PIPE MATERIAL		304							
FRAME MATERIAL		304							
Assembly drawing	DEPARTMENT	Sales Department	DATE	2021/4/14	SCALE			BAODE HEAT EXCHANGER	
	DESIGNER	JYL			宝得换热				
	INSPECTOR	GJF			MODEL HBL200A-162				
	APPROVAL	FL			DRAWING NO.			2116885	REV

DESCRIPTION	A
R830-D1-D2,H4138-D3,L830-D4	454

修改号	修改日期	修改内容	修改人员