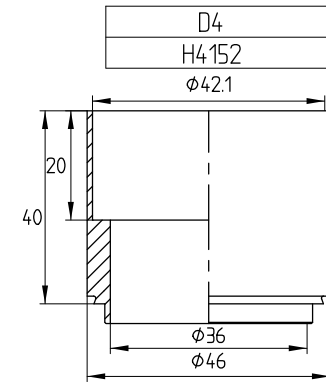
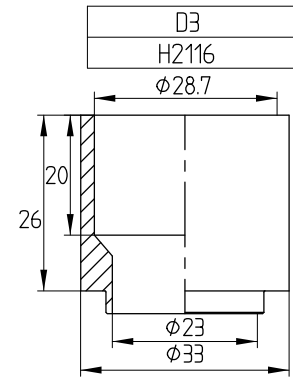
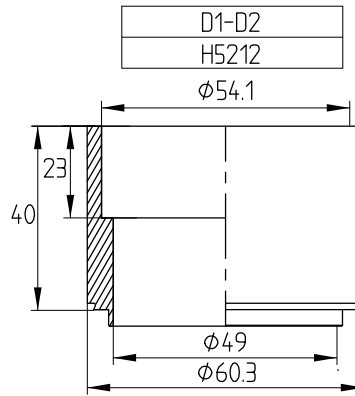
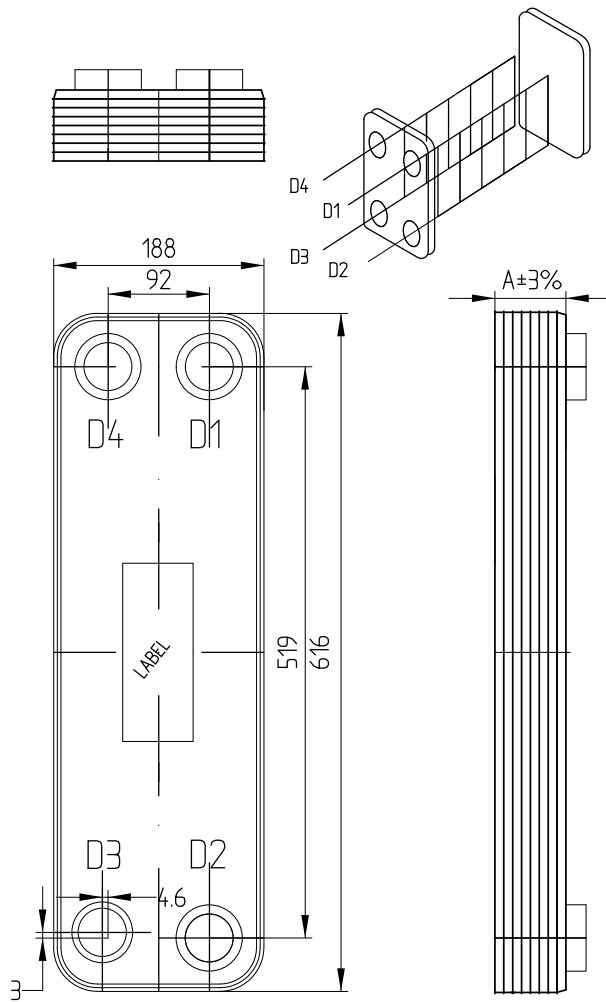

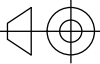


受控



DESCRIPTION	A
BL95A-94(H5212-D1-D2,H2116-D3,H4152-D4)	233

		DESIGN DATA				
DESIGN PRESSURE		3.0MPa				
TEST PRESSURE		4.5MPa				
DESIGN TEMPERATURE		-196/+225				
LEAKAGE TEST		He检				
PLATE MATERIAL		316L				
PIPE MATERIAL		304				
FRAME MATERIAL		304				
Assembly drawing	DEPARTMENT	Sales Department	DATE	SCALE	 BAODE HEAT EXCHANGER 宝得换热	
	DESIGNER	JLN	2023/01/29			
	INSPECTOR	ZJF				MODEL
	APPROVAL	FL		DRAWING NO.		23010456

修改号

修改日期

修改内容

修改人员